

HP-4P	GEAR RATIO	TYPE	A	B	C	D	E	F	G	H	I	J	K	L	N	Y	Z	KG
200W 1/4HP	3-10	*18	153	110	130	50	140	120	120	9	52.5	16	38	12	158	5	M8	4
	15-90	22	188	110	130	148	185	170	156	11	52.5	18.2	49	12	158	3.5	M8	6
	15-90	*22	188	110	130	55	170	146	146	11	52.5	18.2	49	12	158	3.5	M8	6
	100-200	28	216	110	130	170	220	195	180	11	52.5	20.8	57	15	158	4	M8	8
400W 1/2HP	3-10	22	188	110	130	148	185	170	156	11	52.5	18.2	49	12	158	3.5	M8	6
	3-10	*22	188	110	130	55	170	146	146	11	52.5	18.2	49	12	158	3.5	M8	6
	15-90	28	216	110	130	170	220	195	180	11	52.5	20.8	57	15	158	4	M8	8
	100-200	32	250	110	130	185	255	237	215	13	52.5	30.2	67	17	158	4	M8	14.6
750W 1HP	3-25	28	250	130	165	170	220	195	180	11	90.8	20.8	57	15	198	4	M10	11
	30-120	32	288	130	165	185	255	237	215	13	90.8	30.2	67	17	198	5	M10	19.6
	125-200	40	313	130	165	230	310	300	275	15	90.8	42.2	79	20	198	4	M10	38
1500W 2HP	3-25	32	288	130	165	185	255	237	215	13	90.8	30.2	67	17	198	5	M10	19.6
	30-120	40	313	130	165	230	310	300	275	15	90.8	42.2	79	20	198	5	M10	39
2200W 3HP	3-60	40	320	180	215	230	310	300	275	15	95	42.2	79	20	250	5	M12	39
	70-120	50	360	180	215	280	390	360	330	19	95	51.7	90	20	250	5	M12	44
3700W 5HP	3-25	40	320	180	215	230	310	300	275	15	95	42.2	79	20	250	5	M12	55
	30-80	50	360	180	215	280	390	360	330	19	95	51.7	90	20	250	5	M12	60

INPUT BORE

KW	BORE		KEYWAY	
	S1	W1	T1	
1/4HP	Φ11	4	12.8	
1/2HP	Φ14	5	16.3	
1HP	Φ19	6	21.8	
2HP	Φ24	8	27.3	
3HP	Φ28	8	31.3	
5HP	Φ28	8	31.3	

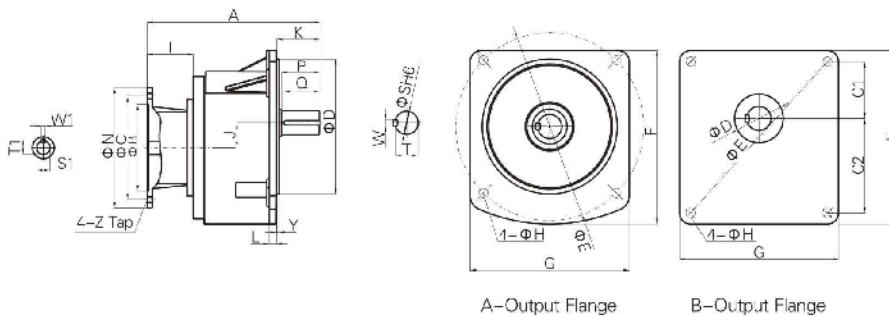
OUTPUT SHAFT

SHAFT	KEYWAY			KEY
Sh6	P	W	T	Q
Φ18	30	5	20	25
Φ22	40	7	25	35
Φ28	45	7	31	40
Φ32	55	10	35.5	50
Φ40	65	10	43.5	60
Φ50	80	14	54	75



NOTE:

- 1# Ontology (Models for 18)
C1 is 33.5, C2 is 65.5
- 2# Ontology (Models for 22)
C1 is 40, C2 is 80



- Available for IEC metric motor.
- *Belong to B type output flange.