

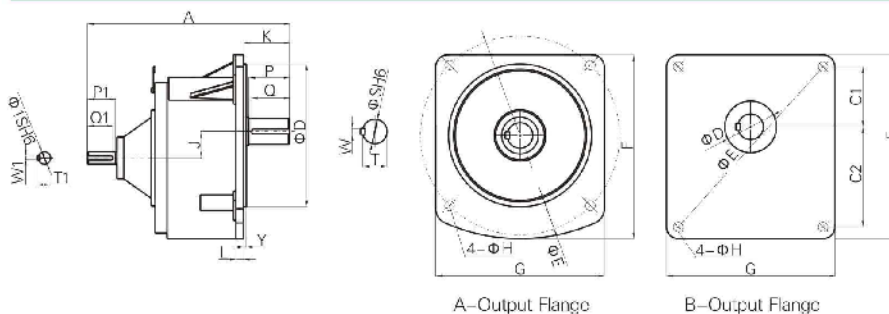
HP-4P	GEAR RATIO	TYPE	A	D	E	F	G	H	J	K	L	Y	KG
100W 1/8HP	3-50	*18	168	50	140	120	120	9	16	38	12	5	3
	60-200	22	200	148	185	170	156	11	18.2	49	12	3.5	4
	60-200	*22	200	55	170	146	146	11	18.2	49	12	3.5	4
200W 1/4HP	3-10	*18	168	50	140	120	120	9	16	38	12	5	3
	15-90	22	200	148	185	170	156	11	18.2	49	12	3.5	5
	15-90	*22	200	55	170	146	146	11	18.2	49	12	3.5	4
	100-200	28	258	170	220	195	180	11	20.8	57	15	4	7
400W 1/2HP	3-10	22	207	148	185	170	156	11	18.2	49	12	3.5	6
	3-10	*22	200	55	170	146	146	11	18.2	49	12	3.5	4
	15-90	28	263	170	220	195	180	11	20.8	57	15	4	7
	100-200	32	300	185	255	237	215	13	30.2	67	17	4	12.4
750W 1HP	3-25	28	268	170	220	195	180	11	20.8	57	15	4	7
	30-120	32	310	185	255	237	215	13	30.2	67	17	4	14.4
	125-200	40	336	230	310	300	275	15	20.8	79	20	5	35
1500W 2HP	3-25	32	320	185	255	237	215	13	30.2	67	17	4	14.4
	30-120	40	350	230	310	300	275	15	42.2	79	20	5	35
2200W 3HP	3-60	40	360	230	310	300	275	15	42.2	79	20	5	35
	70-120	50	400	280	390	360	330	19	51.7	90	20	5	43
3700W 5HP	3-25	40	360	230	310	300	275	15	42.2	79	20	5	35
	30-80	50	400	280	390	360	330	19	51.7	90	20	5	43

INPUT BORE	SHAFT			KEYWAY			KEY
	KW	S1h6	P1	W1	T1	Q1	SPEC
0.1/0.2	14	25	5	16	22	5×5×22	
0.4	14	30	5	16	26	5×5×25	
0.75	19	40	6	21.5	35	6×6×35	
1.5	24	50	8	27	45	8×7×45	
2.2	28	55	8	31	50	8×7×50	
3.7	28	55	8	31	50	8×7×50	

OUTPUT SHAFT	SHAFT		KEYWAY			KEY
	Sh6	P	W	T	Q	SPEC
Φ18	30	5	20	25	5×5×25	
Φ22	40	7	25	35	7×7×35	
Φ28	45	7	31	40	7×7×40	
Φ32	55	10	35.5	50	10×8×50	
Φ40	65	10	43.5	60	10×8×60	
Φ50	80	14	54	75	14×9×75	

NOTE:

- 1# Ontology (Models for 18)
C1 is 33.5, C2 is 65.5
- 2# Ontology (Models for 22)
C1 is 40, C2 is 80



*Belong to B type output flange.