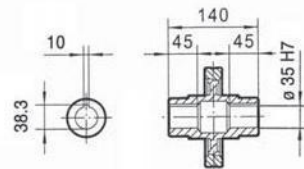
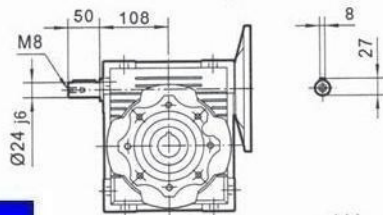
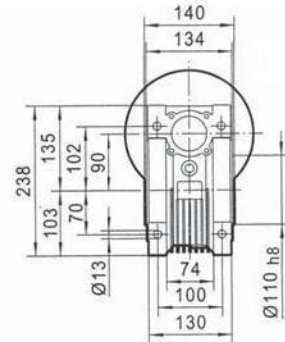
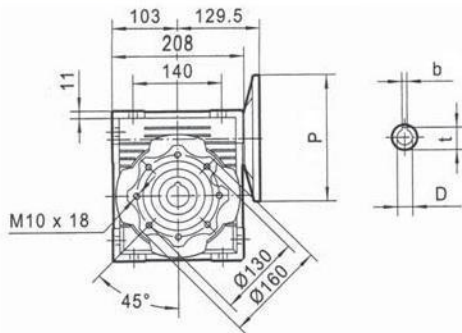


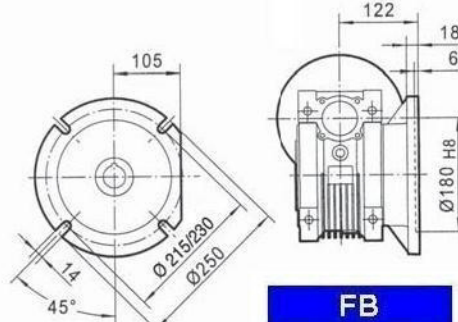
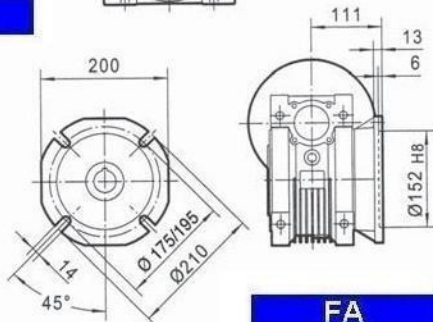
SMW 090 - PERFORMANCE WITH 4-POLE MOTORS 1400 REVS. INPUT

TYPE	i=ratio	n2 r/min	Kw=P1	Nm=T2	f.s.	Possible types of motor connections	
SMW 090	7.5	186.7	4.00	184	1.5	100/90	B5/B14
	10	140.0	4.00	242	1.3	100/90	B5/B14
	15	93.3	4.00	351	1.1	100/90	B5/B14
	20	70.0	4.00	456	0.8	100/90	B5/B14
	25	56.0	3.00	417	0.8	100/90	B5/B14
	30	46.7	3.00	478	0.9	100/90	B5/B14
	40	35.0	1.50	306	1.2	90/80	B5/B14
	50	28.0	1.50	367	1.0	90/80	B5/B14
	60	23.3	1.50	421	0.8	90/80	B5/B14
	80	17.5	0.75	257	1.1	80	B5/B14
	100	14.0	0.75	300	0.9	80	B5/B14

DIMENSIONS



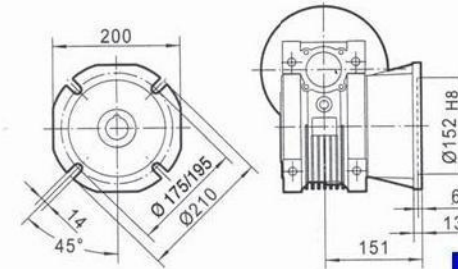
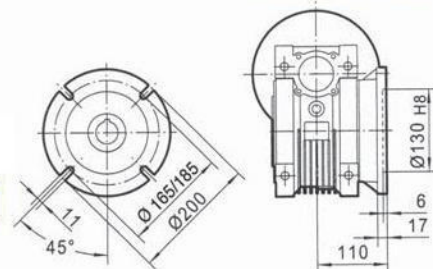
E



FA

FB

FC



FD

PAM IEC	P	DE8	b	t	PAM IEC	P	DE8	b	t
100/112B5	250	28	8	31.3	100/112B14	160	28	8	31.3
90B5	200	24	8	27.3	90B14	140	24	8	27.3
80B5	200	19	6	21.8	80B14	120	19	6	21.8

Weight 13 Kg excluding motor