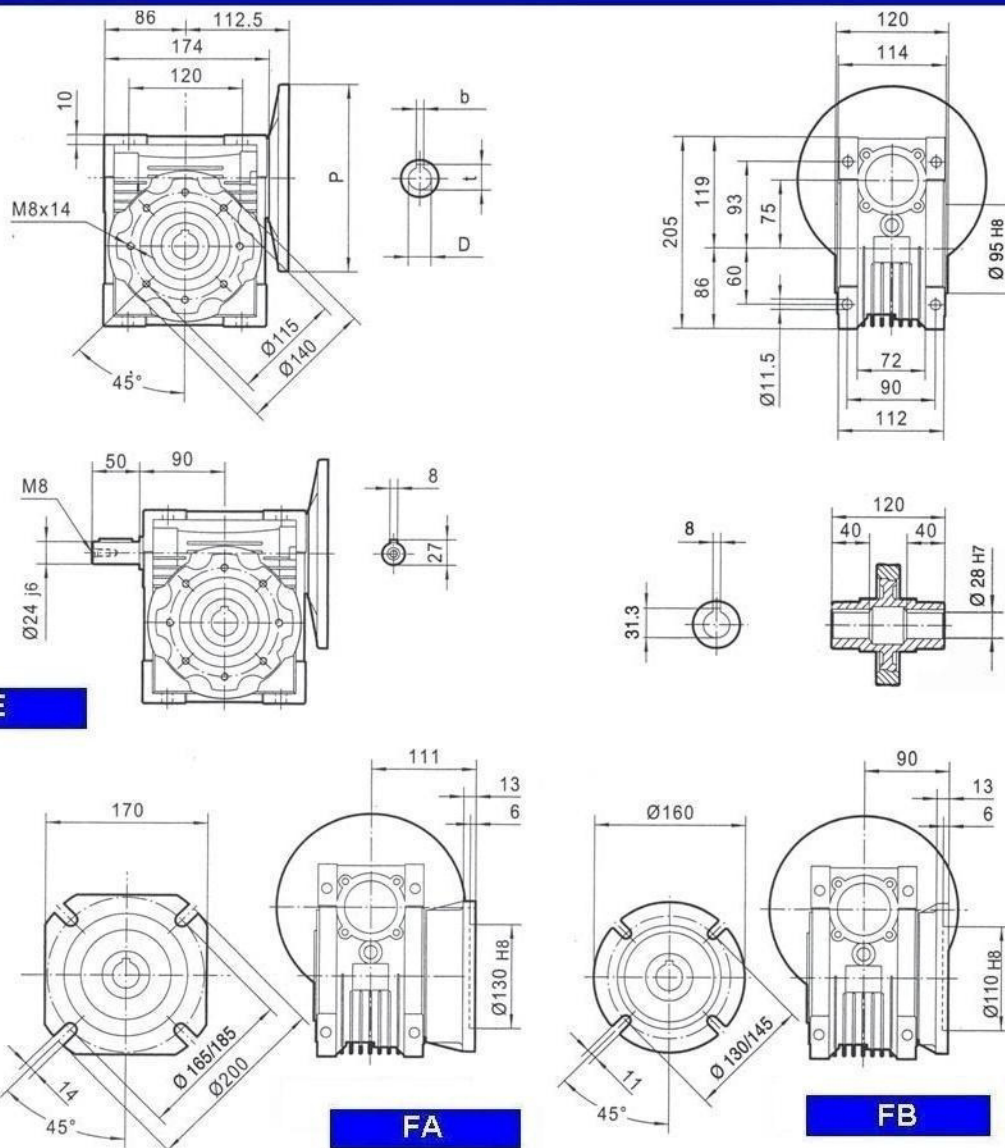


SMW 075 - PERFORMANCE WITH 4-POLE MOTORS 1400 REVS. INPUT

TYPE	i=ratio	n2 r/min	Kw=P1	Nm=T2	f.s.	Possible types of motor connections	
SMW 075	7.5	186.7	4.00	180	1.0	100/90	B5/B14
	10	140.0	4.00	237	0.8	100/90	B5/B14
	15	93.3	3.00	260	0.8	100/90	B5/B14
	20	70.0	1.50	167	1.2	90/80	B5/B14
	25	56.0	1.50	204	1.0	90/80	B5/B14
	30	46.7	1.50	232	1.0	90/80	B5/B14
	40	35.0	1.10	214	1.0	90/80	B5/B14
	50	28.0	0.75	176	1.2	90/80/71	B5/B14*
	60	23.3	0.75	199	1.0	80/71	B5/B14*
	80	17.5	0.55	178	1.1	80/71	B5/B14*
100	14.0	0.55	203	0.9	80/71	B5/B14*	

* 71 only B5

DIMENSIONS



Weight 9 Kg excluding motor

PAM IEC	P	DE8	b	t	PAM IEC	P	DE8	b	t
100/112B5	250	28	8	31.3	100/112B14	160	28	8	31.3
90B5	200	24	8	27.3	90B14	140	24	8	27.3
80B5	200	19	6	21.8	80B14	120	19	6	21.8
71B5	160	14	5	16.3					