

Housed Torque Limiter

*Ball/detent overload
clutch enclosed in
IEC + NEMA
flanged housing*



EAS[®] -HTL

Overload Protection for machinery and components

- *zero backlash torque limiter*
- *integrated limit switch*
- *versatile functions*

www.mayr.de

P.HTL.V06.GB

mayr[®]
power
transmission

Manufacturer's declaration

The product is to be seen as an option or component for installation into machines or equipment according to the machinery directive 98/37/EC. The machinery (product) must not be put into service until the machinery into which it is to be incorporated has been declared in conformity with the provisions of the applicable EC-directives.

Safety regulations



Danger!

- If the EAS[®]-clutches have been modified or reconverted.
- If the relevant standard of the safety or installation conditions are not observed.

Necessary protective measures to be undertaken by the user

- Cover of moving parts to prevent personal injury as squeezing and seizing.
- Only qualified and well-trained specialists should work on the units to avoid any personal injury or damage to machinery.**

With these safety notes no claim on completeness is raised!

Integrated Limit Switch

- PNP-normally open: Signals drive off in case of an overload.
- Assembled and adjusted at the factory.

Sturdy Housing

The sturdy steel housing allows overhung loads.

Short overall length

The extremely short overall length allows retrofitting into existing designs and equipment.

IEC and NEMA

Standard IEC/B5 and NEMA dimensions for connecting flanges and shaft diameters. Allows retrofitting to existing drives.

Versatile functions

Ratchetting, synchronous or overload clutch versions.

Backlash-free torque transmission

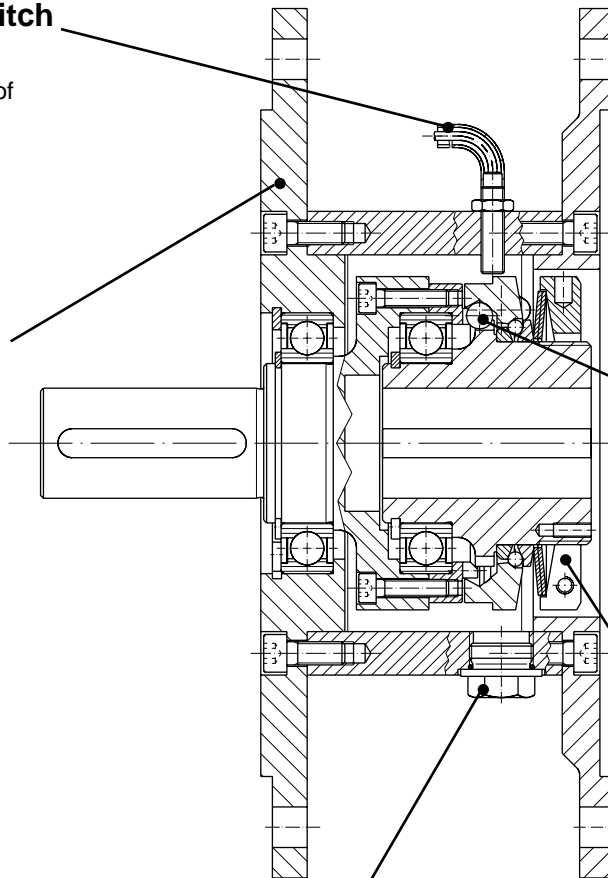
Backlash-free torque transmission due to the patented EAS[®]-NC and EAS[®]-Compact[®] principle.

Torque adjustment

The torque is factory adjusted to customer specification. The torque limiting clutch uses a percentage scale graduated adjusting nut.

Hole for re-engagement

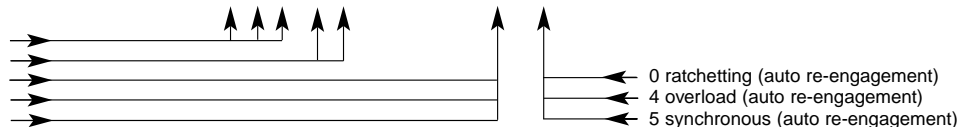
Only with the overload clutch version.

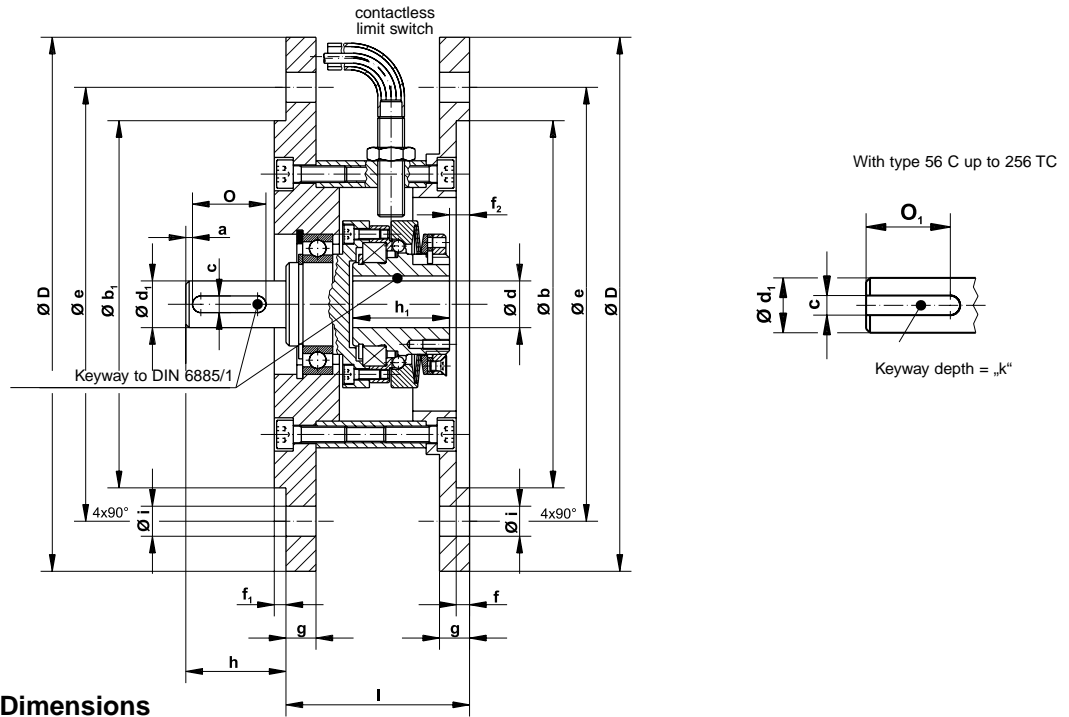


Order example:

To be included when ordering, please state:	Size	Type
Order number:	--- -	4 ⁵ ₉₀ . 2 .0

motor size
clutch size
low torque range 5
high torque range 6
max. torque range 7





Technical data and Dimensions

Size/Type	Limiting torques M min-max [Nm]			Speed n rpm		Motor size		Flange size	Type					
	4_0.52_0	4_0.62_0	4_0.72_0	4_0.25_0	4_0.24.0	IEC	NEMA		4_0.25.0			4_0.24.0		
	f ₂	h ₁	l	f ₂	h ₁	l								
71-02/450_2_0	2 – 5	5 – 10	6 – 15	4000	–	71	–	A 160	6	29	55	–	–	–
80-01/490_2_0	5 – 12,5	10 – 20	20 – 50	4000	8000	80	–	A 200	11	40	78	6	45	78
90-0/490_2_0	10 – 25	20 – 50	40 – 100	3000	7000	90	–	A 200	12	48	90	7	55	92
100-1/490_2_0	20 – 50	40 – 100	80 – 200	2500	6000	100	–	A 250	12	59	110	12	65	116
132-2/490_2_0	40 – 100	80 – 200	160 – 400	2000	5000	132	–	A 300	8	64	110	8	72	118
160-3/490_2_0	80 – 175	160 – 350	320 – 700 ¹⁾	1500 ¹⁾	4000	160	–	A 350	15	75	124	29	82	139
180-3/490_2_0	80 – 175	160 – 350	320 – 700 ¹⁾	1500 ¹⁾	4000	180	–	A 350	15	75	124	23	82	139
56C-01/490_2_0	5 – 12,5	10 – 20	20 – 50	4000	8000	–	56 C	–	0.433"	1.57"	3.07"	0.236"	1.77"	3.07"
143TC-01/490_2_0	5 – 12,5	10 – 25	20 – 50	4000	8000	–	143 TC	–	0.433"	1.57"	3.07"	0.236"	1.77"	3.07"
184 TC-1/490_2_0	20 – 50	40 – 100	80 – 200	2500	6000	–	184 TC	–	0.271"	2.32"	4.42"	0.271"	2.56"	4.65"
215 TC-2/490_2_0	40 – 100	80 – 200	160 – 400	2000	5000	–	215 TC	–	0.678"	2.52"	4.42"	0.345"	2.83"	4.65"
256 TC-2/490_2_0	40 – 100	80 – 200	160 – 400	2000	5000	–	256 TC	–	1.31"	2.52"	5.28"	1.115"	2.83"	5.28"

Size/Type	a	Ø b ^{+0.3/0.2}	Ø b ₁	c P ⁹	Ø D	Ø d ^{H7}	Ø d _{1 k6}	Ø e	f	f ₁	g	h	Ø i	k	O ₁	O
71-02/450_2_0	2	110	110 _{j6}	5	160	14	14	130	4	3,5	9	30	9	3	–	22
80-01/490_2_0	2	130	130 _{j6}	6	200	19	19	165	4	3,5	10	40	11	3,5	–	32
90-0/490_2_0	2	130	130 _{j6}	8	200	24	24	165	4	3,5	10	50	11	4	–	40
100-1/490_2_0	4	180	180 _{j6}	8	250	28	28	215	4,5	4	11	60	14	4	–	50
132-2/490_2_0	6	230	230 _{j6}	10	300	38	38	265	5	4	12	80	14	5	–	65
160-3/490_2_0	7	250	250 _{h6}	12	350	42	42	300	6	5	13	110	18	5	–	90
180-3/490_2_0	7	250	250 _{h6}	14	350	48	48	300	6	5	13	110	18	5,5	–	90
56C-01/490_2_0	–	4.5"	4.5" _{j6}	0.188"	180	0.625"	0.625"	5.875"	0.18"	0.16"	0.375"	2.06"	0.438"	0.104"	1.41"	–
143TC-01/490_2_0	–	4.5"	4.5" _{j6}	0.188"	180	0.875"	0.875"	5.875"	0.18"	0.16"	0.375"	2.12"	0.438"	0.104"	1.41"	–
184 TC-1/490_2_0	–	8.5"	8.5" _{j6}	0.25"	250	1.125"	1.125"	7.250"	0.25"	0.25"	0.625"	2.87"	0.562"	0.139"	1.78"	–
215 TC-2/490_2_0	–	8.5"	8.5" _{j6}	0.31"	250	1.325"	1.375"	7.250"	0.25"	0.25"	0.625"	3.37"	0.562"	0.174"	2.41"	–
256 TC-2/490_2_0	–	8.5"	8.5" _{j6}	0.375"	250	1.625"	1.625"	7.250"	0.25"	0.25"	0.625"	4.00"	0.562"	0.200"	2.91"	–

¹⁾ Max. speed with Type 4_0.72_0: 1200 rpm

Worldwide representation

Headquarters

Chr. Mayr
GmbH + Co. KG
Eichenstraße 1
87665 Mauerstetten
Tel.: 49-83 41/8 04-241
Fax: 49-83 41/804422
<http://www.mayr.de>

Great Britain

Mayr Transmissions Ltd.
Valley Road, Business Park
Keighley, BD21 4LZ
West Yorkshire
Tel.: 0 15 35/66 39 00
Fax: 0 15 35/66 32 61
sales@mayr.co.uk

Italy

Mayr Italia S.r.l.
Viale Veneto, 3
35020 Saonara (PD)
Tel.: 0 49/8 79 10 20
Fax: 0 49/8 79 10 22
info@mayr-italia.it

France

Mayr France S.A.
Z.A.L. du Minopole
BP 16
62160 Bully-Les-Mines
Tel.: 03.21.72.91.91
Fax: 03.21.29.71.77
contact@mayr.fr

Switzerland

Mayr Kupplungen AG
Tobeläckerstrasse 11
8212 Neuhausen
am Rheinfall
Tel.: 0 52/6 74 08 70
Fax: 0 52/6 74 08 75
info@mayr.ch

USA

Mayr Corporation
4 North Street
Waldwick
NJ 07463
Tel.: 2 01/4 45-72 10
Fax: 2 01/4 45-80 19
info@mayrcorp.com

Singapore

Mayr Transmission (S)
Pte. Ltd. – Blk 133
Jurong East Street 13
Unit 03-291
Singapore 600133 Asean
Tel.: 0065/6560 1230
Fax: 0065/6560 1000
info@mayr.com.sg

Korea

Mayr Korea
60-11, Woongnam-Dong
ROK Changwon
Rep. of Korea
Tel.: 055/262-4024
Fax: 055/262-4025
info@mayrkorea.com

Taiwan

(for machine tool manuf.)
German Tech Auto Co. Ltd.
No. 58, Wu Chuan Road
Wu-Ku Industrial Park
Taipei Hsien, Taiwan
Tel.: 02/22990237
Fax: 02/22990239
steve@zfgta.com.tw

China

Driveline Technology
Components Co. Ltd.
1699 East Zhulu Road
Xujing Industrial Zone
201700 Shanghai
Tel.: 021/59883978
Fax: 021/59883979
dtcshanghai@online.sh.cn



Australia

Transmission Australia Pty. Ltd.
22 Corporate Ave,
3178 Rowville, Victoria
Australien
Tel.: 039/755 4444
Fax: 039/755 4411
info@transaus.com.au

New Zealand

Saeco A.D.I.Ltd.
36 Hastie Avenue
Mangere East
P. O. Box 22-256
Otahuhu-Auckland
Tel.: 09/634 7540
Fax: 09/634 7552
grant@saeco.co.nz

India

National Engineering
Company (NENCO)
J-225, M.I.D.C. Bhosari
Pune 411 026
Tel.: 0202/7 47 45 29
Fax: 0202/7 47 02 29
nenco@vsnl.com

Japan

Shinwa Trading Co. Ltd.
1-3, 3-Chome
Goko-Dori, Chuo-ku
Kobe City
Tel.: 078/251 23 11
Fax: 078/265 26 76
ohta@shinwa-kobe.co.jp

South Africa

Torque Transfer
Private Bag 9
Elandsfontein 1406
Tel.: 011/345 8000
Fax: 011/392 25 61
torque@bearings.co.za

Austria
Benelux States
Brazil
Canada
Czech Republic
Denmark
Finland
Greece

Hongkong
Hungary
Indonesia
Israel
Malaysia
Norway
Philippines
Poland

Russia
Slovakia
Slovenia
Spain
Sweden
Thailand
Turkey

Note:
If a country is not
shown, please refer
to headquarters or
our web site to be
advised of the
nearest responsible
agent.