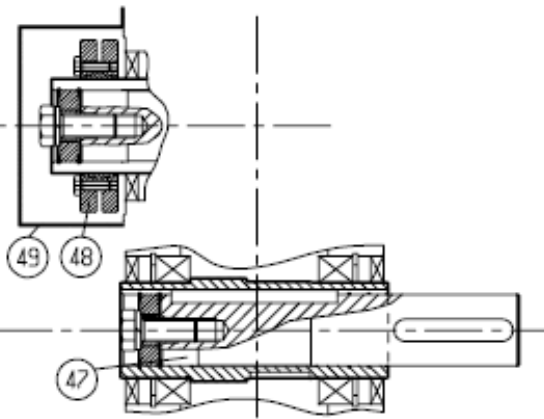
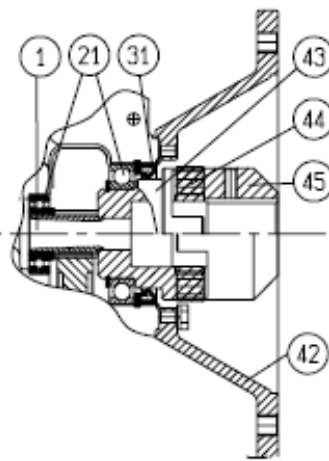


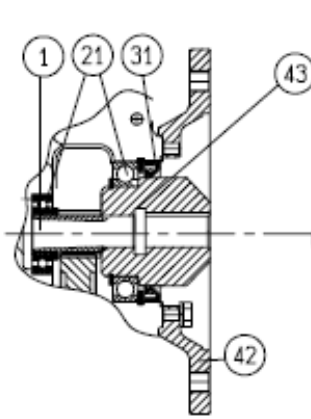
ASSE-AXIS-EJE-ACHSE-AXE / 4



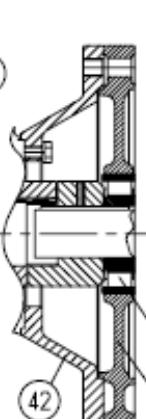
ROC3/PAM-ROTEX



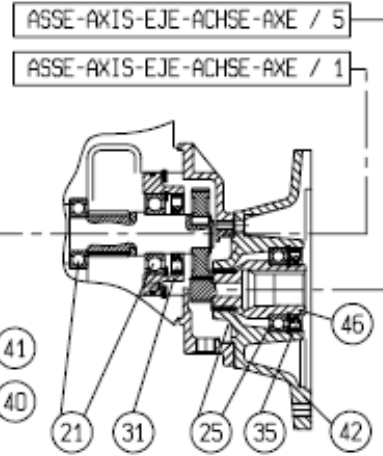
ROC3/PAM_DIR



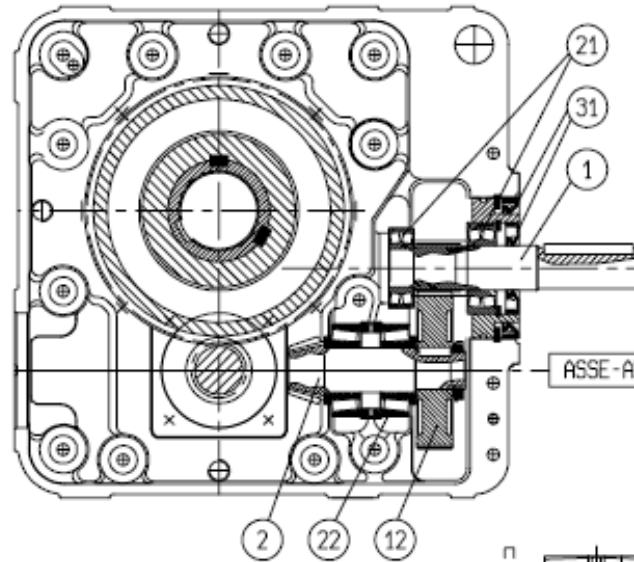
ROC/PAM/AR



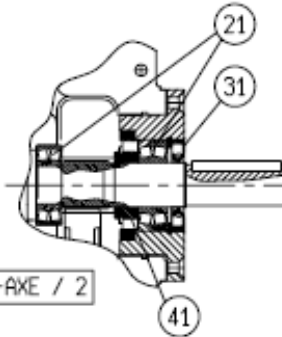
ROC4/PAM



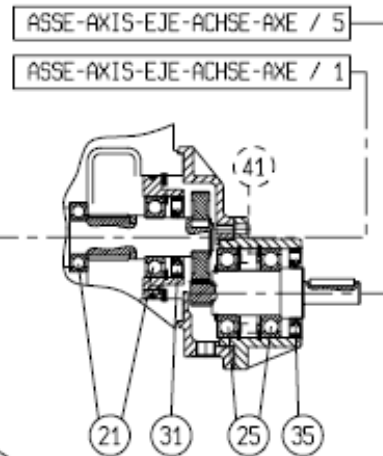
ROC3/ECE



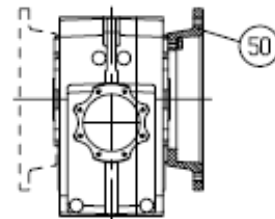
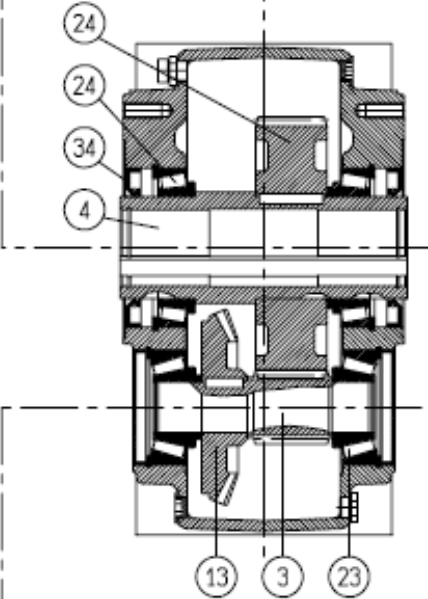
ROC3/ECE/AR



ROC4/ECE



ASSE-AXIS-EJE-ACHSE-AXE / 3





Подшипник

| POS | Q.TY | R | 125 | 140 | 160 | 180 | 200 |
|-----|------------------|------------------|----------|----------|----------|----------|----------|
| 25 | 1 | ROC4/ECE | 6208 | 6307 | 6307 | 6309 | 6309 |
| | | | 6208 | 6209 | 6209 | 6211 | 6211 |
| | 1 | ROC4/PAM63 | 6004 | - | - | - | - |
| | | | 25X32X16 | - | - | - | - |
| | 1 | ROC4/PAM71 | 6005 | 6005 | 6005 | - | - |
| | | | 25X32X20 | 25X32X20 | 25X32X20 | - | - |
| | 1 | ROC4/PAM90/90 | 6008 | 6008 | 6008 | 6008 | - |
| | | | 30X37X20 | 30X37X20 | 30X37X20 | 30X37X20 | - |
| | 1 | ROC4/PAM100/112 | 6009 | 6009 | 6009 | 6009 | 6009 |
| | | | 30X37X20 | 30X37X20 | 30X37X20 | 30X37X20 | 30X37X20 |
| 1 | ROC4/PAM132 | - | 6011 | 6011 | 6011 | 6011 | |
| | | - | 40X47X20 | 40X47X20 | 40X47X20 | 40X47X20 | |
| 1 | ROC4/PAM160/180 | - | - | - | - | 6014 | |
| | | - | - | - | - | 60X68X32 | |
| 24 | 2 | ROC3/ROC4 | 32016X | 32018X | 32020X | 32024X | 32026X |
| 23 | 2 | ROC3/ROC4 | 32308 | 32309 | 32310 | 32311 | 32312 |
| 22 | 2 | ROC3/ROC4 | 33207 | 33208 | 33209 | 33210 | 33211 |
| 21 | 1 | ROC3/ECE | 22206* | 30306 | 30307 | 30308 | 30308 |
| | | | 22207 | 32209 | 32209 | 32211 | 32211 |
| | 1 | ROC3/PAM-ROTEX75 | - | - | - | 6308 | 6308 |
| | | | - | - | - | 6024 | 6211 |
| | 1 | ROC3/PAM-ROTEX55 | - | 6306 | 6307 | 6308 | 6308 |
| | | | - | 6018 | 6018 | 6018 | 6018 |
| 1 | ROC3/PAM-ROTEX48 | 6206 | - | - | - | - | |
| | | 6014 | - | - | - | - | |
| 1 | ROC3/PAM-DIR | 6206 | 6306 | 6307 | 6308 | - | |
| | | 6014 | 6018 | 6018 | 6018 | - | |

* ZK-14 , 21305

Уплотнитель

| POS | Q.TY | R | 125 | 140 | 160 | 180 | 200 |
|-----|------|----------------|-----------|------------|------------|------------|------------|
| 35 | 1 | ROC4/ECE | 45X80X8 | 50X90X10 | 50X90X10 | 65x100x10 | - |
| | | ROC4/PAM63 | 20X42X7 | - | - | - | - |
| | | ROC4/PAM71 | 25X47X7 | 25X47X7 | 25X47X7 | - | - |
| | | ROC4/PAM90 | 40X68X7 | 40X68X7 | 40X68X7 | - | - |
| | | ROC4/PAM90 | 40X68X7 | 40X68X7 | 40X68X7 | 40X68X7 | - |
| | | ROC4/PAM100 | 45X75X10 | 45X75X10 | 45X75X10 | 45X75X10 | 45X75X10 |
| | | ROC4/PAM112 | - | 55X90X10 | 45X75X10 | 45X75X10 | 45X75X10 |
| | | ROC4/PAM132 | - | - | - | 55X90x10 | 55X90x10 |
| | | ROC4/PAM160 | - | - | - | - | 70x85x7 |
| | | 34 | 2 | ROC3/ROC4 | 80X125X10 | 90X140X13 | 100X120X12 |
| 31 | 1 | ROC3/ECE | 35X72X10 | 45X75X8 | 45X75X12 | 55x90x10 | 55x90x10 |
| | | | 85X110X12 | 110X140X13 | 110X140X13 | 140x180x10 | 40x180x10 |
| | 1 | ROC3/ECE/HR | 85X110X12 | 45X75X8 | 45X75X12 | 55x80x8 | 55x80x10 |
| | 1 | ROC3/PAM ROTEX | 85X110X12 | 115X140X13 | 115X140X13 | 115x140x13 | 115x140x13 |
| | 1 | ROC3/PAM DIR | 85x110x12 | 85X110X12 | 85X110X12 | - | - |
| 1 | ROC4 | 35X72X10 | 45X75X10 | 45X75X10 | 55x90x10 | 55x90x10 | |

УСТРОЙСТВО ПРОТИВ
ОБРАТНОГО ХОДА

| POS | Q.TY | R | 125 | 140 | 160 | 180 | 200 |
|--------|------|--|--------------|------------|-------------|------------|------------|
| 41 | 1 | ROC3/ECE | BAK133339 | BAK1325059 | BAK132909F | BAK1310147 | BAK1310147 |
| | | ROC4/ECE | BAK1310226 | BAK1325059 | BAK132909F | BAK1310147 | BAK1310147 |
| | | PAM90 | - | - | FK 38 17 DK | - | - |
| | | PAM90 | - | - | FK 38 17 DK | - | - |
| | | PAM100/112 | - | - | FK 61 19 DK | - | - |
| | | PAM132 | - | - | FK 61 19 DK | - | - |
| | | PAM160 | - | - | FK 61 19 DK | - | - |
| | | PAM180 | - | - | FK 66 25 DK | - | - |
| | | PAM200 | - | - | FK 86 25 DK | - | - |
| | | PAM225 | - | - | FK 86 25 DK | - | - |
| PAM250 | - | - | FK 101 25 DK | - | - | | |
| 40 | 1 | FLANGIA ANTIRITORNO / BACKSTOP FLANGE / BRIDA ANTIRRETORNO / RUCKLAUFSPERRE / BRIDE ANTIDEVIREUR | - | - | - | - | - |

| Позиц | Колич | |
|-------|-------|----------------------------------|
| 51 | 1 | Плечо взаимодействия |
| 50 | 1 | Фланец |
| 49 | 1 | Крышка |
| 48 | 1 | Единица застопоривания, прихвата |
| 47 | 1 | Полный вал |
| 46 | 1 | Муфта зацепления |
| 45 | 1 | Стык, соединение |
| 44 | 1 | Эластомер |
| 43 | 1 | Стык, соединение |
| 42 | 1 | Фланец РАМ |
| 14 | 1 | Колесо |
| 13 | 1 | Колесо |
| 12 | 1 | Колесо |
| 5 | 1 | Быстрый вал |
| 4 | 1 | Выходной вал |
| 3 | 1 | шестерня |
| 2 | 1 | шестерня |
| 1 | 1 | Быстрый вал |